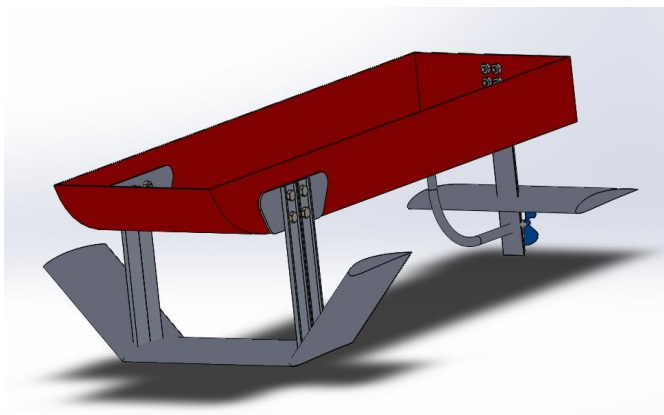


Team 21




RESCUE
HYDROFOIL




Calvin
COLLEGE
1876

Our goal is to create a hydrofoil that can be used with Search and Rescue teams for aquatic emergencies. The boat should be able to hold rescue gear, scuba gear for a minimum of 4-6 persons, and a minimum carrying capacity of 2250lbs. The boat will be constructed from an existing hull and have a minimum travel speed of 35 knots. With the foils being retractable, the boat can launch from any boat launch, travel shallow water, and get to the victim faster than standard search and rescue craft.

Team Members:
Kashyap Sigdel, Rachel Evans, Alex Gross,
Mustafa Albaldawi, Clark Richeson

Advisor:
Renard Tubergen