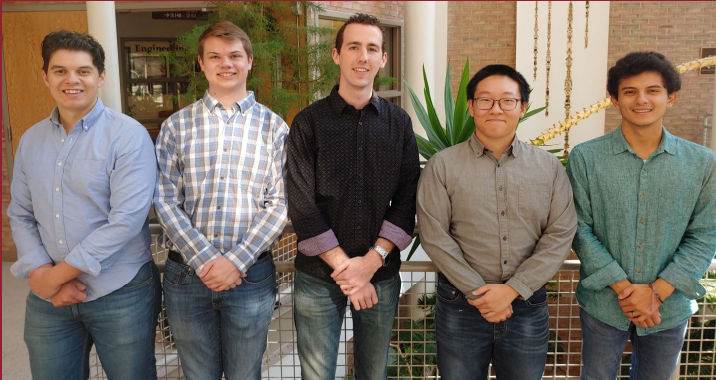


Team 7: Fire Power

Project Description

Without a steady electrical power supply, modern life can be very difficult, especially with respect to communications and medical needs. In many parts of the world, reliable electrical grid infrastructure is unavailable. To address this need, the team intends to design a simple, durable, and low cost external combustion powered generator. Current internal combustion powered generators are restricted in fuel source, which may be difficult or costly to acquire. External combustion powered generators, like Stirling Engines, can utilize heat from multiple fuel sources. The team will focus on the use of wood fuel, as this is commonly available in the majority of the world and is a renewable resource.



Team Members (left to right)

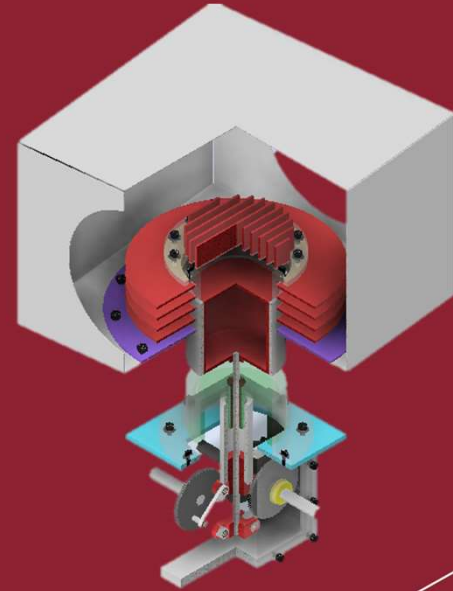
John Macy (ME)

Brett Ermer (ME)

Marcus Gelder (ME)

Peter Oh (ME)

Zac Ericson (ME)



CAD Model of Stirling Engine
with chimney enclosure

